

# EMC shield clamps for screw assembly

with or without integrated strain relief



EMC shield clamps are used, where the shield of cables must be connected to the earth potential. They are easy to use and effective in earthing single cable shields.

When using types with integrated strain relief cables can be fixed via the cable jacket using cable ties. Thus strain relief in accordance with EN 62444 is achieved. We also offer EMC shield clamps with double strain relief function acc. to PROFINET installation guidelines.

Due to its special design the clamping ranges of the MSKL are very large while the dimensions are comparatively small. (Example: MSKL 3-12, assembled with a 12 mm cable shield: width 26.25 mm). The EMC shield clamp LFZ-M|MSKL is also available as 45° and 90° angled version. The 45° angled type is suitable for the use in frequency converters from various manufacturers. Thus, the cable can be inserted in a 45° angle into the wiring duct. For the cable routing and strain relieving on edges the 90° angled type can be used.

The shield clamps are easily attached to mounting plates via screw.

The shield clamp LFZ-U|SKL is available for M4 or M5 screws. During assembly it is sufficient to loosen the existing screw slightly to be able to slide the clamp underneath before re-tightening the screw.

Shield clamps LFZ-U-AB are especially suitable for mounting on Allen Bradley Powerflex 525 & Powerflex 527 AC drives. Direct contacting on the drive saves space and interference signals are picked up directly at the interference source.

## Specifications

<b>Material</b>	Shield clamp: Spring steel, zinc plated Shield bracket: Mild steel, galvanically zinc plated Screw foot: Mild steel, galvanically zinc plated
<b>Properties</b>	vibration proof
<b>Mounting options</b>	Screw type mounting

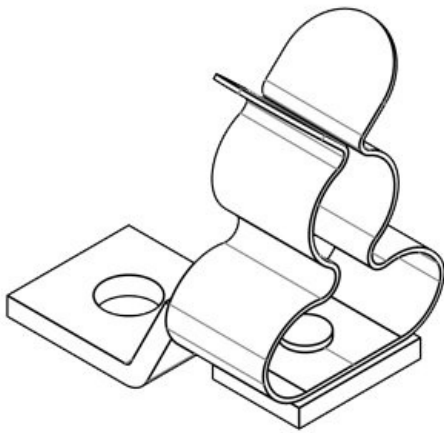
## Advantages & benefits

- Partially with integrated strain relief
- Large contact area
- Shield contact and strain relief separated
- Easy assembly and removal
- The spring design requires no adjustments and will permanently maintain contact to the cable shield
- Shock and vibration resistant, maintenance free
- Integrated double strain relief function acc. to PROFINET installation guidelines

## Product types & sizes

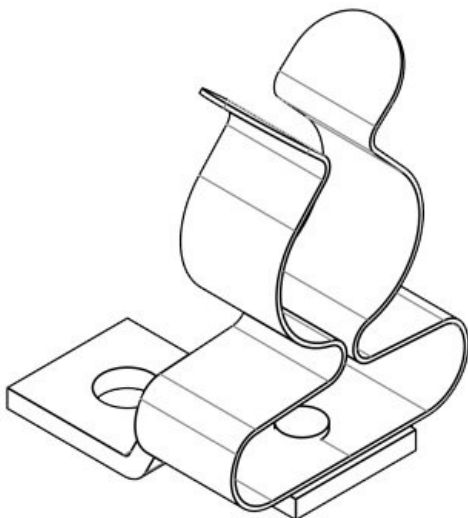
LF|MSKL 3-12

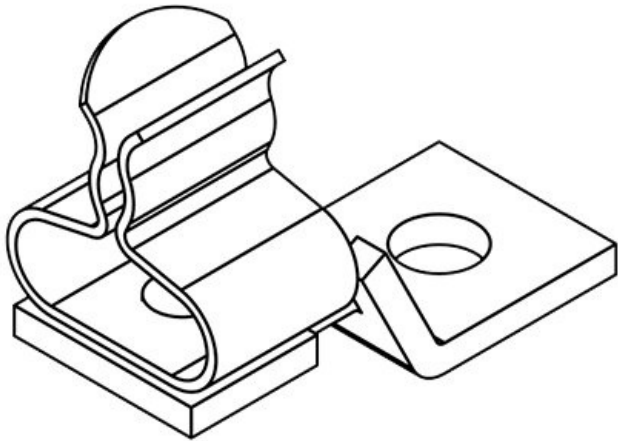
Part No.	<b>37608</b>	Length	<b>24 mm</b>
EAN	<b>4251269316</b>	Width	<b>15 mm</b>
	<b>890</b>	Height	<b>26 mm</b>
Package quantity	<b>10</b>	Mounting height	<b>26 mm</b>
No. of shield clamps	<b>1</b>	Hole size	<b>M4</b>
For max. no. of cables	<b>1</b>	No. of screw holes	<b>1</b>
Min. shield diam.	<b>3 mm</b>	Diam. of screw holes	<b>4,1 mm</b>
Max. shield diam.	<b>12 mm</b>		



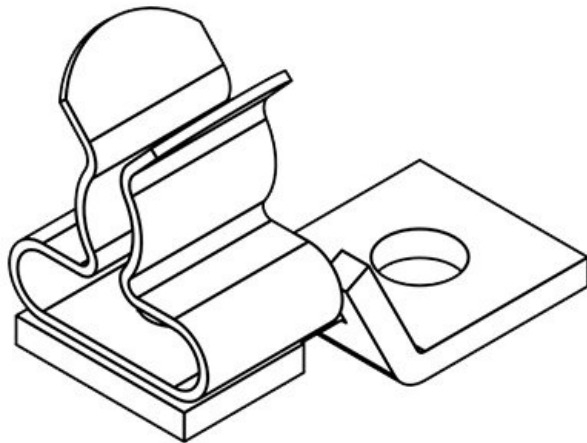
LF|MSKL 8-18

Part No.	<b>37610</b>	Length	<b>24 mm</b>
EAN	<b>4251269316</b>	Width	<b>20 mm</b>
	<b>906</b>	Height	<b>32 mm</b>
Package quantity	<b>10</b>	Mounting height	<b>32 mm</b>
No. of shield clamps	<b>1</b>	Hole size	<b>M4</b>
For max. no. of cables	<b>1</b>	No. of screw holes	<b>1</b>
Min. shield diam.	<b>8 mm</b>	Diam. of screw holes	<b>4,1 mm</b>
Max. shield diam.	<b>18 mm</b>		





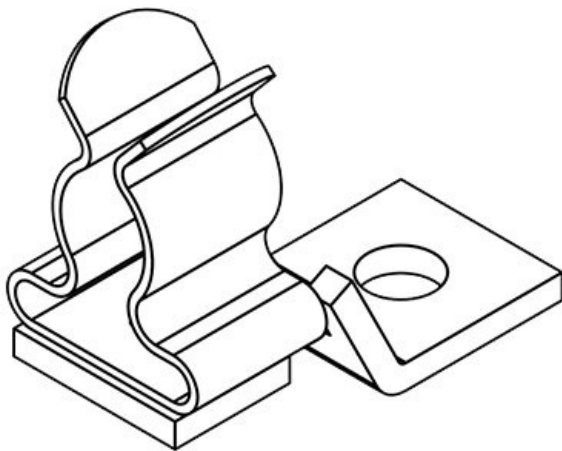
Part No.	<b>36251</b>	Length	<b>24 mm</b>
EAN	<b>4251269302</b>	Width	<b>11,8 mm</b>
	<b>404</b>	Height	<b>18,4 mm</b>
Package quantity	<b>10</b>	Mounting height	<b>18,4 mm</b>
No. of shield clamps	<b>1</b>	Hole size	<b>M4</b>
For max. no. of cables	<b>1</b>	No. of screw holes	<b>1</b>
Min. shield diam.	<b>1,5 mm</b>	Diam. of screw holes	<b>4,1 mm</b>
Max. shield diam.	<b>3 mm</b>		



Part No.	<b>36253</b>	Length	<b>24 mm</b>
EAN	<b>4251269302</b>	Width	<b>11,8 mm</b>
	<b>428</b>	Height	<b>19 mm</b>
Package quantity	<b>10</b>	Mounting height	<b>19 mm</b>
No. of shield clamps	<b>1</b>	Hole size	<b>M4</b>
For max. no. of cables	<b>1</b>	No. of screw holes	<b>1</b>
Min. shield diam.	<b>3 mm</b>	Diam. of screw holes	<b>4,1 mm</b>
Max. shield diam.	<b>6 mm</b>		

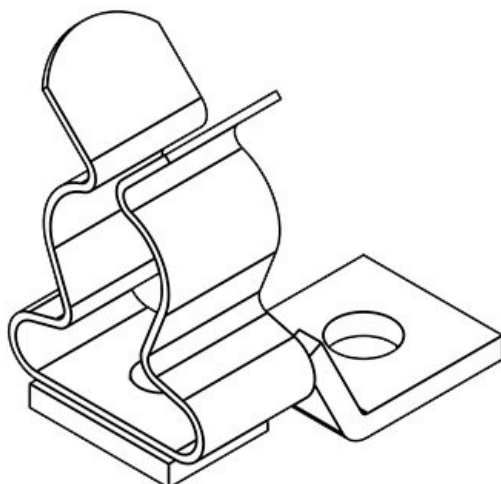
LF|SKL 6-8

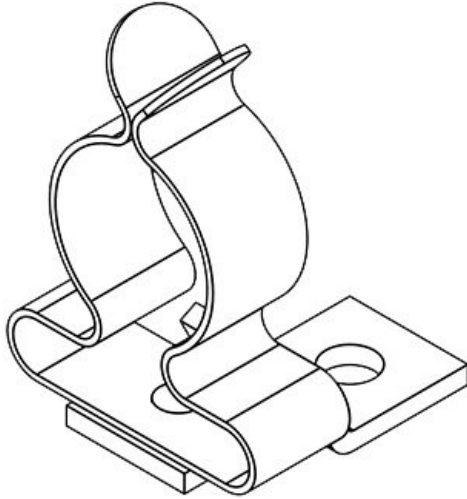
Part No.	<b>36255</b>	Length	<b>24 mm</b>
EAN	<b>4251269302</b>	Width	<b>11,8 mm</b>
	<b>435</b>	Height	<b>20,5 mm</b>
Package quantity	<b>10</b>	Mounting height	<b>20,5 mm</b>
No. of shield clamps	<b>1</b>	Hole size	<b>M4</b>
For max. no. of cables	<b>1</b>	No. of screw holes	<b>1</b>
Min. shield diam.	<b>6 mm</b>	Diam. of screw holes	<b>4,1 mm</b>
Max. shield diam.	<b>8 mm</b>		



LF|SKL 8-11

Part No.	<b>36256</b>	Length	<b>24 mm</b>
EAN	<b>4251269302</b>	Width	<b>14 mm</b>
	<b>442</b>	Height	<b>25,5 mm</b>
Package quantity	<b>10</b>	Mounting height	<b>25,5 mm</b>
No. of shield clamps	<b>1</b>	Hole size	<b>M4</b>
For max. no. of cables	<b>1</b>	No. of screw holes	<b>1</b>
Min. shield diam.	<b>8 mm</b>	Diam. of screw holes	<b>4,1 mm</b>
Max. shield diam.	<b>11 mm</b>		



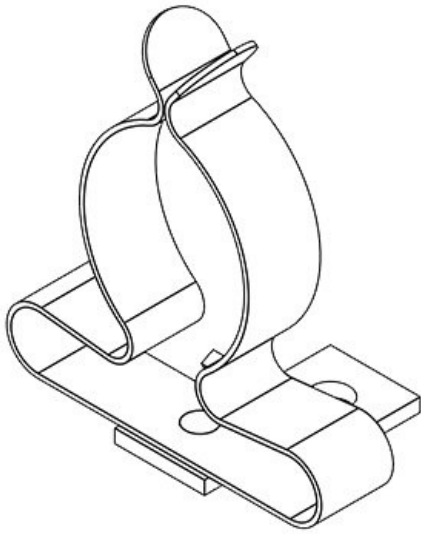


Part No.	<b>36257</b>	Length	<b>24 mm</b>
EAN	<b>4251269302</b>	Width	<b>21 mm</b>
	<b>459</b>	Height	<b>32,5 mm</b>
Package quantity	<b>10</b>	Mounting height	<b>32,5 mm</b>
No. of shield clamps	<b>1</b>	Hole size	<b>M4</b>
For max. no. of cables	<b>1</b>	No. of screw holes	<b>1</b>
Min. shield diam.	<b>11 mm</b>	Diam. of screw holes	<b>4,1 mm</b>
Max. shield diam.	<b>17 mm</b>		

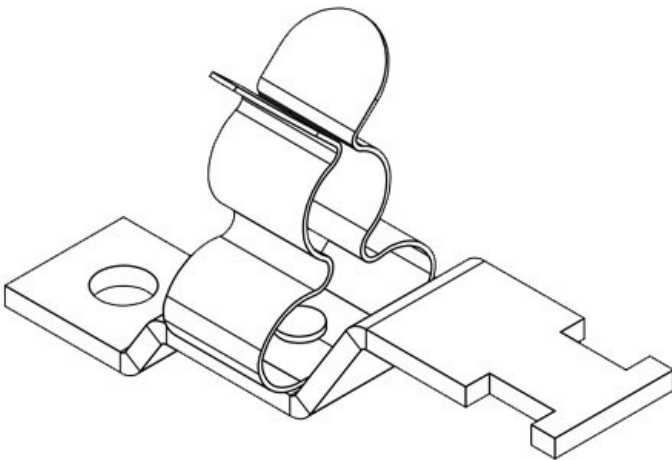


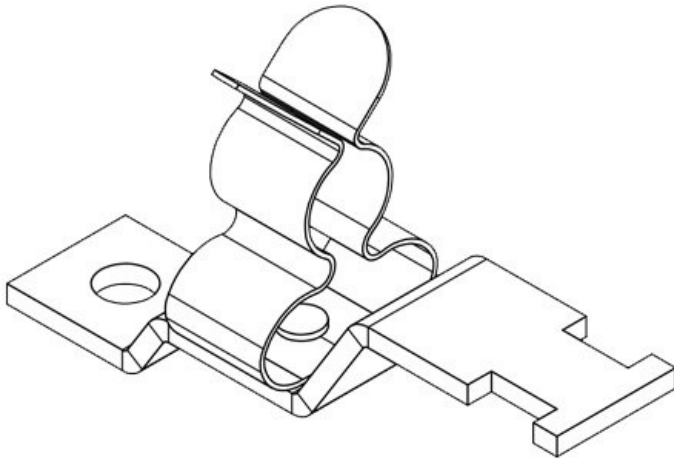
Part No.	<b>36258</b>	Length	<b>24 mm</b>
EAN	<b>4251269302</b>	Width	<b>26,5 mm</b>
	<b>466</b>	Height	<b>40 mm</b>
Package quantity	<b>10</b>	Mounting height	<b>40 mm</b>
No. of shield clamps	<b>1</b>	Hole size	<b>M4</b>
For max. no. of cables	<b>1</b>	No. of screw holes	<b>1</b>
Min. shield diam.	<b>17 mm</b>	Diam. of screw holes	<b>4,1 mm</b>
Max. shield diam.	<b>22 mm</b>		

Part No.	<b>36259</b>	Length	<b>24 mm</b>
EAN	<b>4251269302</b>	Width	<b>35 mm</b>
	<b>473</b>	Height	<b>44,4 mm</b>
Package quantity	<b>10</b>	Mounting height	<b>44,4 mm</b>
No. of shield clamps	<b>1</b>	Hole size	<b>M4</b>
For max. no. of cables	<b>1</b>	No. of screw holes	<b>1</b>
Min. shield diam.	<b>22 mm</b>	Diam. of screw holes	<b>4,1 mm</b>
Max. shield diam.	<b>30 mm</b>		

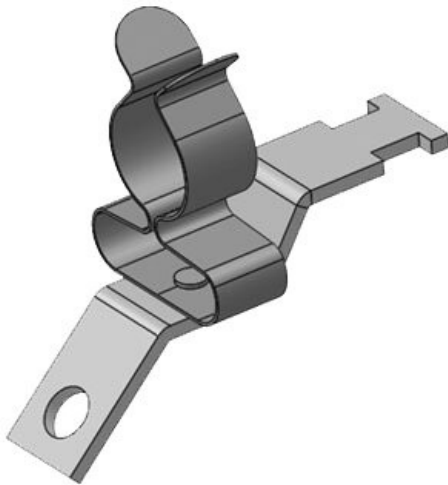


Part No.	<b>37612</b>	Max. shield diam.	<b>12 mm</b>
EAN	<b>4251269316</b>	Length	<b>46,3 mm</b>
	<b>913</b>	Width	<b>15 mm</b>
Package quantity	<b>10</b>	Height	<b>26 mm</b>
No. of shield clamps	<b>1</b>	Mounting height	<b>26 mm</b>
Strain relief (acc. to EN 62444)	<b>1</b>	Hole size	<b>M4</b>
For max. no. of cables	<b>1</b>	No. of screw holes	<b>1</b>
Min. shield diam.	<b>3 mm</b>	Diam. of screw holes	<b>4,1 mm</b>



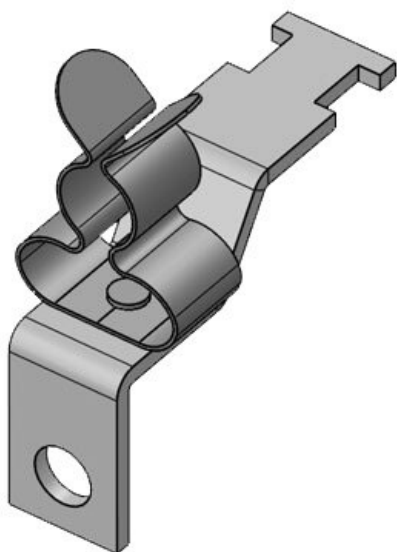


Part No.	<b>37373</b>	Max. shield diam.	<b>12 mm</b>
EAN		Length	<b>46,3 mm</b>
Package quantity	<b>10</b>	Width	<b>15 mm</b>
No. of shield clamps	<b>1</b>	Height	<b>26 mm</b>
Strain relief (acc. to EN 62444)	<b>1</b>	Mounting height	<b>26 mm</b>
For max. no. of cables	<b>1</b>	Hole size	<b>M6</b>
Min. shield diam.	<b>3 mm</b>	No. of screw holes	<b>1</b>
		Diam. of screw holes	<b>6,2 mm</b>

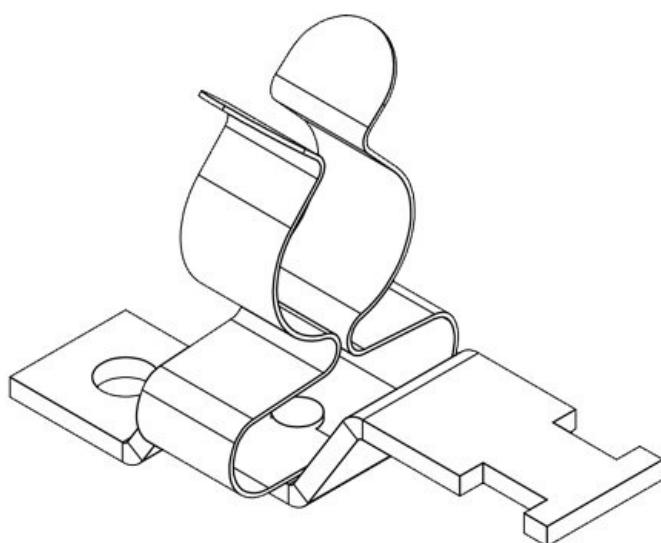


Part No.	<b>37660.1</b>	Max. shield diam.	<b>12 mm</b>
EAN	<b>4251269320</b>	Length	<b>45,1 mm</b>
Package quantity	<b>10</b>	Width	<b>14,9 mm</b>
No. of shield clamps	<b>1</b>	Height	<b>33,1 mm</b>
Strain relief (acc. to EN 62444)	<b>1</b>	Hole size	<b>M4</b>
For max. no. of cables	<b>1</b>	No. of screw holes	<b>1</b>
Min. shield diam.	<b>3 mm</b>	Diam. of screw holes	<b>4,1 mm</b>

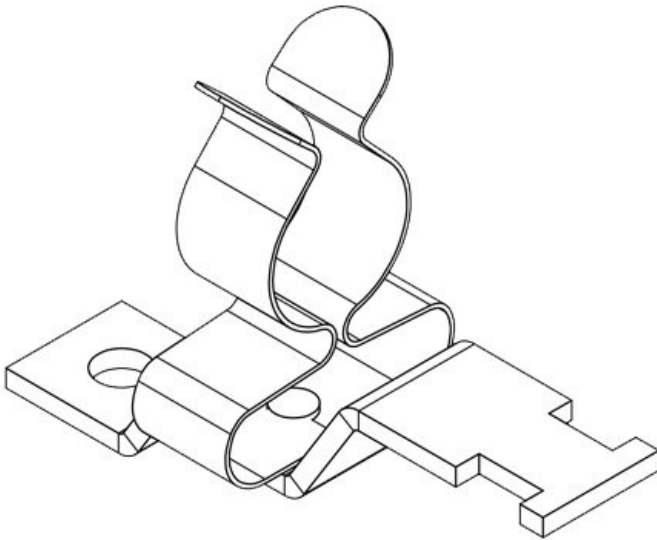
Part No.	<b>37661.1</b>	Max. shield	<b>12 mm</b>
EAN	<b>4251269321</b>	diam.	
	<b>450</b>	Length	<b>34,7 mm</b>
Package	<b>10</b>	Width	<b>14,9 mm</b>
quantity		Height	<b>37,1 mm</b>
No. of shield	<b>1</b>	Hole size	<b>M4</b>
clamps		No. of screw	<b>1</b>
Strain relief	<b>1</b>	holes	
(acc. to EN		Diam. of screw	<b>4,1 mm</b>
62444)		holes	
For max. no. of	<b>1</b>		
cables			
Min. shield	<b>3 mm</b>		
diam.			



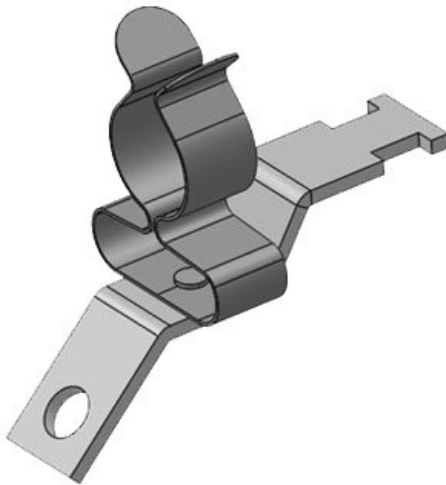
Part No.	<b>37614</b>	Max. shield	<b>18 mm</b>
EAN	<b>4251269316</b>	diam.	
	<b>920</b>	Length	<b>46,3 mm</b>
Package	<b>10</b>	Width	<b>20 mm</b>
quantity		Height	<b>32,2 mm</b>
No. of shield	<b>1</b>	Mounting	<b>32,2 mm</b>
clamps		height	
Strain relief	<b>1</b>	Hole size	<b>M4</b>
(acc. to EN		No. of screw	<b>1</b>
62444)		holes	
For max. no. of	<b>1</b>	Diam. of screw	<b>4,1 mm</b>
cables		holes	
Min. shield	<b>8 mm</b>		
diam.			





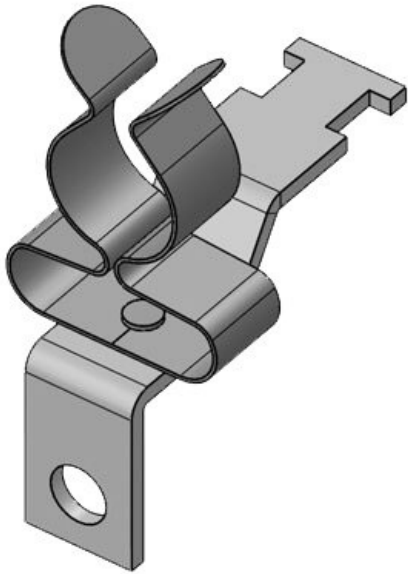


Part No.	<b>37388</b>	Max. shield diam.	<b>18 mm</b>
EAN		Length	<b>46,3 mm</b>
Package quantity	<b>10</b>	Width	<b>20 mm</b>
No. of shield clamps	<b>1</b>	Height	<b>32,2 mm</b>
Strain relief (acc. to EN 62444)	<b>1</b>	Mounting height	<b>32,2 mm</b>
For max. no. of cables	<b>1</b>	Hole size	<b>M6</b>
Min. shield diam.	<b>8 mm</b>	No. of screw holes	<b>1</b>
		Diam. of screw holes	<b>6,2 mm</b>

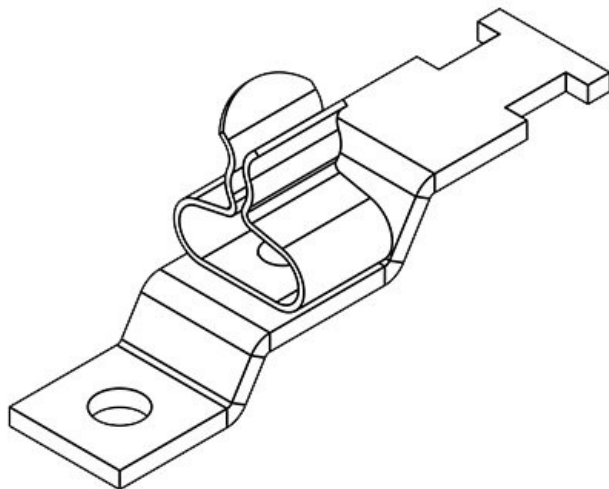


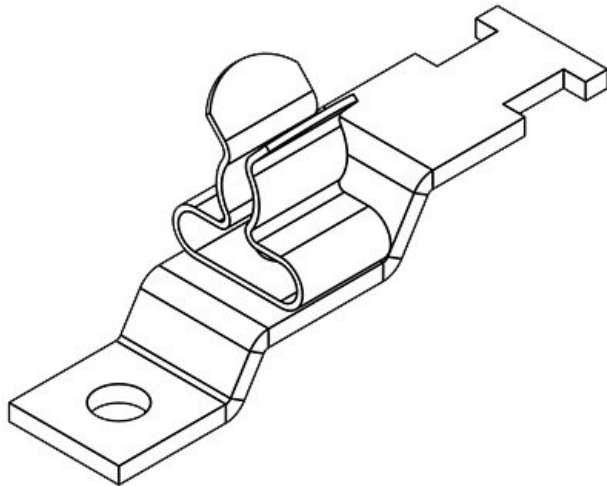
Part No.	<b>37660.2</b>	Max. shield diam.	<b>18 mm</b>
EAN	<b>4251269320</b>	Length	<b>45,1 mm</b>
Package quantity	<b>10</b>	Width	<b>19,7 mm</b>
No. of shield clamps	<b>1</b>	Height	<b>39,3 mm</b>
Strain relief (acc. to EN 62444)	<b>1</b>	Hole size	<b>M4</b>
For max. no. of cables	<b>1</b>	No. of screw holes	<b>1</b>
Min. shield diam.	<b>8 mm</b>	Diam. of screw holes	<b>4,1 mm</b>

Part No.	<b>37661.2</b>	Max. shield	<b>18 mm</b>
EAN	<b>4251269321</b>	diam.	
	<b>467</b>	Length	<b>34,7 mm</b>
Package	<b>10</b>	Width	<b>19,4 mm</b>
quantity		Height	<b>43,3 mm</b>
No. of shield	<b>1</b>	Hole size	<b>M4</b>
clamps		No. of screw	<b>1</b>
Strain relief	<b>1</b>	holes	
(acc. to EN		Diam. of screw	<b>4,1 mm</b>
62444)		holes	
For max. no. of	<b>1</b>		
cables			
Min. shield	<b>8 mm</b>		
diam.			

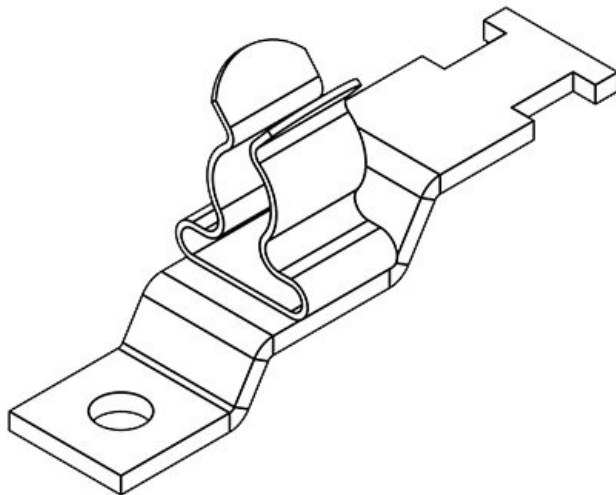


Part No.	<b>36910</b>	Max. shield	<b>3 mm</b>
EAN	<b>4251269305</b>	diam.	
	<b>054</b>	Length	<b>44,4 mm</b>
Package	<b>10</b>	Width	<b>11,8 mm</b>
quantity		Height	<b>18,4 mm</b>
No. of shield	<b>1</b>	Mounting	<b>18,4 mm</b>
clamps		height	
Strain relief	<b>1</b>	Hole size	<b>M4</b>
(acc. to EN		No. of screw	<b>1</b>
62444)		holes	
For max. no. of	<b>1</b>	Diam. of screw	<b>4,1 mm</b>
cables		holes	
Min. shield	<b>1,5 mm</b>		
diam.			



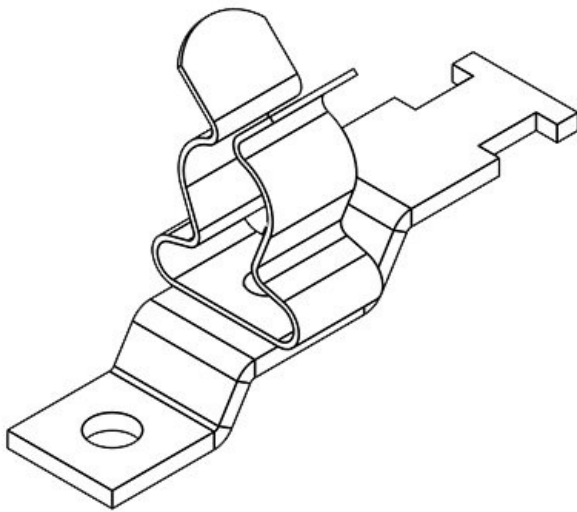


Part No.	<b>36915</b>	Max. shield diam.	<b>6 mm</b>
EAN	<b>4251269305</b>	Length	<b>44,4 mm</b>
	<b>061</b>	Width	<b>11,8 mm</b>
Package quantity	<b>10</b>	Height	<b>19,1 mm</b>
No. of shield clamps	<b>1</b>	Mounting height	<b>19,1 mm</b>
Strain relief (acc. to EN 62444)	<b>1</b>	Hole size	<b>M4</b>
For max. no. of cables	<b>1</b>	No. of screw holes	<b>1</b>
Min. shield diam.	<b>3 mm</b>	Diam. of screw holes	<b>4,1 mm</b>

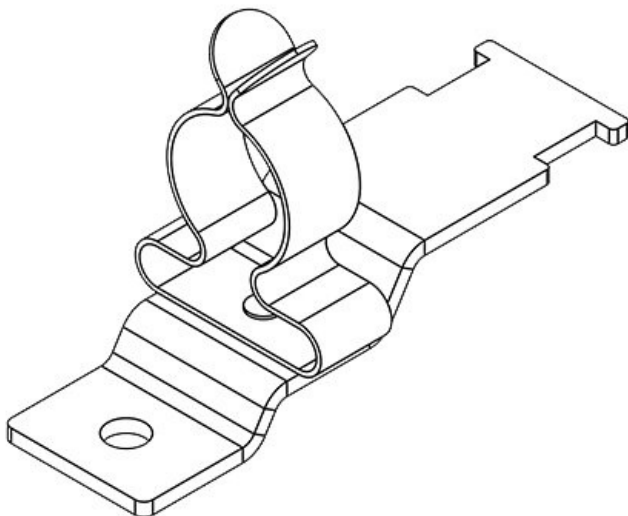


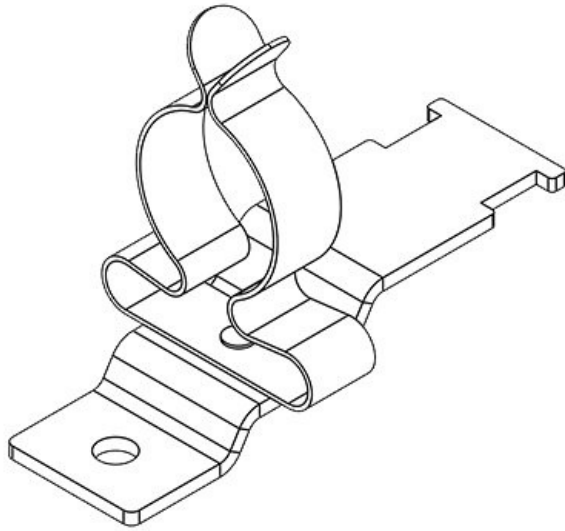
Part No.	<b>36920</b>	Max. shield diam.	<b>8 mm</b>
EAN	<b>4251269305</b>	Length	<b>44,4 mm</b>
	<b>078</b>	Width	<b>11,8 mm</b>
Package quantity	<b>10</b>	Height	<b>20,5 mm</b>
No. of shield clamps	<b>1</b>	Mounting height	<b>20,5 mm</b>
Strain relief (acc. to EN 62444)	<b>1</b>	Hole size	<b>M4</b>
For max. no. of cables	<b>1</b>	No. of screw holes	<b>1</b>
Min. shield diam.	<b>6 mm</b>	Diam. of screw holes	<b>4,1 mm</b>

Part No.	<b>36925</b>	Max. shield	<b>11 mm</b>
EAN	<b>4251269305</b>	diam.	
	<b>085</b>	Length	<b>44,4 mm</b>
Package	<b>10</b>	Width	<b>14 mm</b>
quantity		Height	<b>25,5 mm</b>
No. of shield	<b>1</b>	Mounting	<b>25,5 mm</b>
clamps		height	
Strain relief	<b>1</b>	Hole size	<b>M4</b>
(acc. to EN		No. of screw	<b>1</b>
62444)		holes	
For max. no. of	<b>1</b>	Diam. of screw	<b>4,1 mm</b>
cables		holes	
Min. shield	<b>8 mm</b>		
diam.			

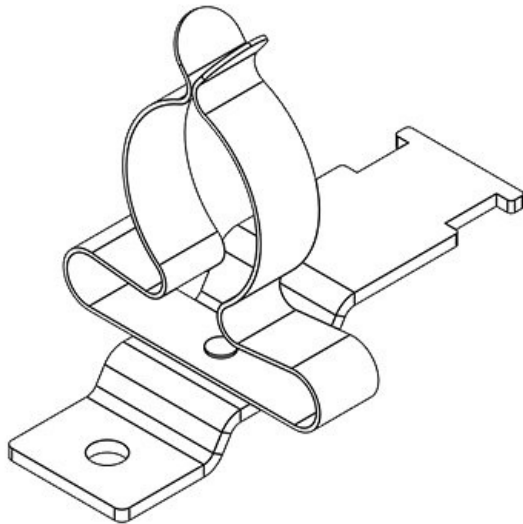


Part No.	<b>36930</b>	Max. shield	<b>17 mm</b>
EAN	<b>4251269305</b>	diam.	
	<b>092</b>	Length	<b>55 mm</b>
Package	<b>10</b>	Width	<b>21 mm</b>
quantity		Height	<b>33 mm</b>
No. of shield	<b>1</b>	Mounting	<b>33 mm</b>
clamps		height	
Strain relief	<b>1</b>	Hole size	<b>M4</b>
(acc. to EN		No. of screw	<b>1</b>
62444)		holes	
For max. no. of	<b>1</b>	Diam. of screw	<b>4,1 mm</b>
cables		holes	
Min. shield	<b>11 mm</b>		
diam.			



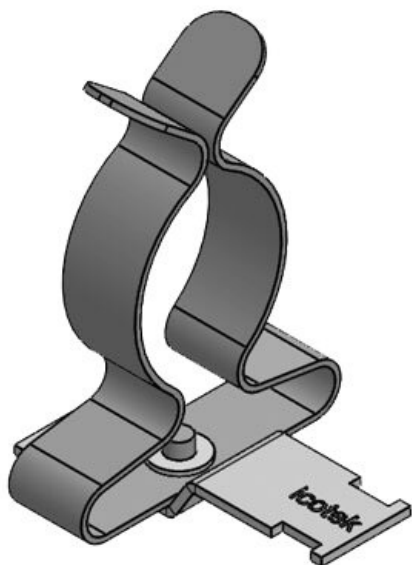


Part No.	<b>36935</b>	Max. shield diam.	<b>22 mm</b>
EAN	<b>4251269305</b>	Length	<b>55 mm</b>
Package quantity	<b>10</b>	Width	<b>26,5 mm</b>
No. of shield clamps	<b>1</b>	Height	<b>40 mm</b>
Strain relief (acc. to EN 62444)	<b>1</b>	Mounting height	<b>40 mm</b>
For max. no. of cables	<b>1</b>	Hole size	<b>M4</b>
Min. shield diam.	<b>17 mm</b>	No. of screw holes	<b>1</b>
		Diam. of screw holes	<b>4,1 mm</b>

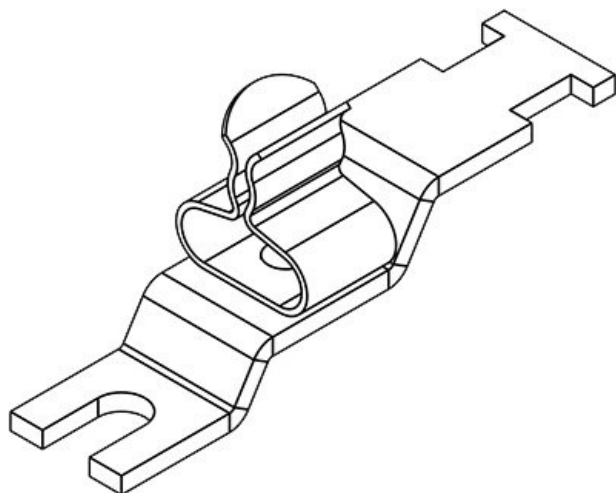


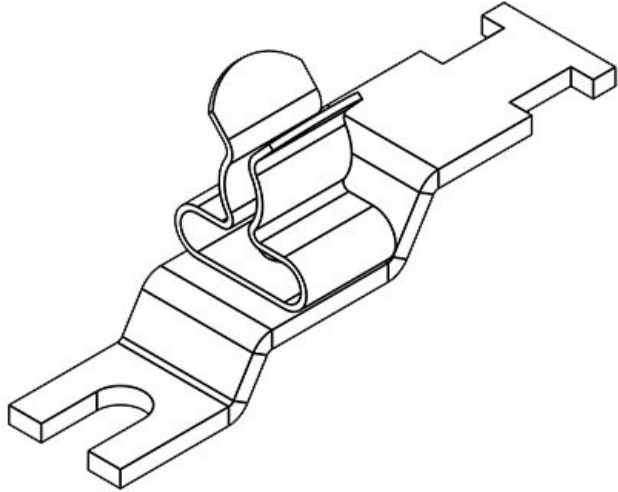
Part No.	<b>36940</b>	Max. shield diam.	<b>30 mm</b>
EAN	<b>4251269305</b>	Length	<b>55 mm</b>
Package quantity	<b>10</b>	Width	<b>35 mm</b>
No. of shield clamps	<b>1</b>	Height	<b>44 mm</b>
Strain relief (acc. to EN 62444)	<b>1</b>	Mounting height	<b>44 mm</b>
For max. no. of cables	<b>1</b>	Hole size	<b>M4</b>
Min. shield diam.	<b>22 mm</b>	No. of screw holes	<b>1</b>
		Diam. of screw holes	<b>4,1 mm</b>

Part No.	<b>36941</b>	Max. shield	<b>38 mm</b>
EAN	<b>4251269319</b>	diam.	
	<b>082</b>	Length	<b>55 mm</b>
Package	<b>10</b>	Width	<b>46,5 mm</b>
quantity		Height	<b>67 mm</b>
No. of shield	<b>1</b>	Mounting	<b>67 mm</b>
clamps		height	
Strain relief	<b>1</b>	Hole size	<b>M4</b>
(acc. to EN		No. of screw	<b>1</b>
62444)		holes	
For max. no. of	<b>1</b>	Diam. of screw	<b>4,2 mm</b>
cables		holes	
Min. shield	<b>30 mm</b>		
diam.			

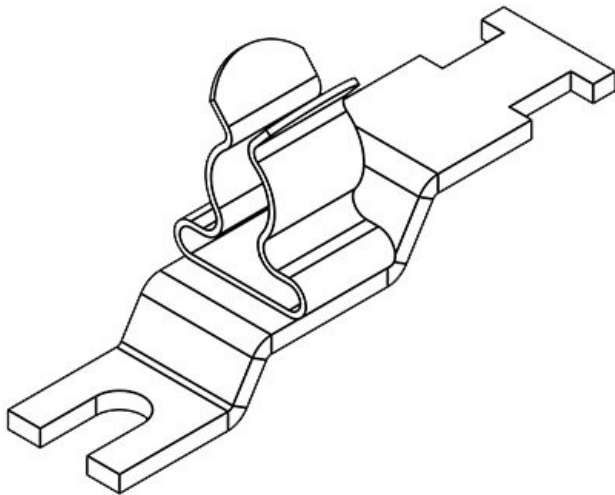


Part No.	<b>36886.1</b>	Min. shield	<b>1,5 mm</b>
EAN	<b>4251269304</b>	diam.	
	<b>972</b>	Max. shield	<b>3 mm</b>
Package	<b>10</b>	diam.	
quantity		Width	<b>11,8 mm</b>
No. of shield	<b>1</b>	Height	<b>18,4 mm</b>
clamps		Mounting	<b>18,4 mm</b>
Length	<b>44,4 mm</b>	height	
Strain relief	<b>1</b>	Hole size	<b>M4</b>
(acc. to EN		No. of screw	<b>1</b>
62444)		holes	
For max. no. of	<b>1</b>	Diam. of screw	<b>4,2 mm</b>
cables		holes	



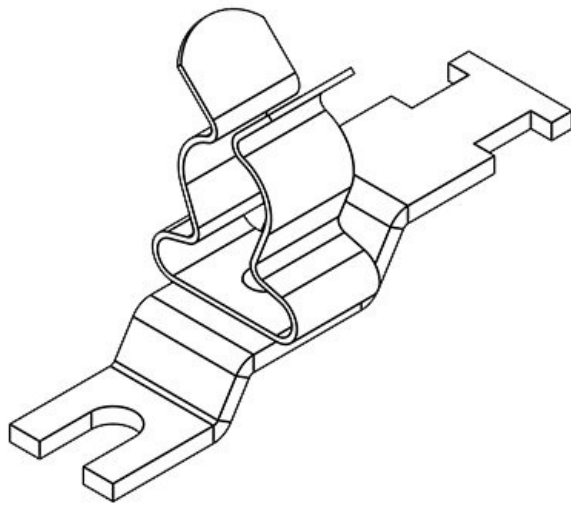


Part No.	<b>36886.2</b>	Min. shield diam.	<b>3 mm</b>
EAN	<b>4251269304</b>	Max. shield diam.	<b>6 mm</b>
Package quantity	<b>10</b>	Width	<b>11,8 mm</b>
No. of shield clamps	<b>1</b>	Height	<b>19,1 mm</b>
Length	<b>44,4 mm</b>	Mounting height	<b>19,1 mm</b>
Strain relief (acc. to EN 62444)	<b>1</b>	Hole size	<b>M4</b>
For max. no. of cables	<b>1</b>	No. of screw holes	<b>1</b>
		Diam. of screw holes	<b>4,2 mm</b>

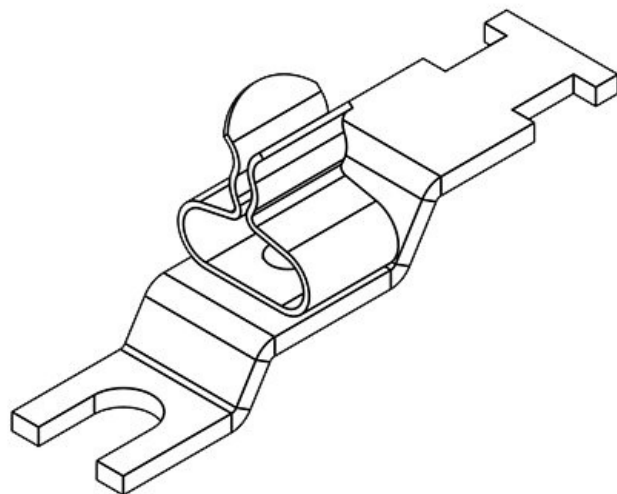


Part No.	<b>36886.3</b>	Min. shield diam.	<b>6 mm</b>
EAN	<b>4251269304</b>	Max. shield diam.	<b>8 mm</b>
Package quantity	<b>10</b>	Width	<b>11,8 mm</b>
No. of shield clamps	<b>1</b>	Height	<b>20,5 mm</b>
Length	<b>44,4 mm</b>	Mounting height	<b>20,5 mm</b>
Strain relief (acc. to EN 62444)	<b>1</b>	Hole size	<b>M4</b>
For max. no. of cables	<b>1</b>	No. of screw holes	<b>1</b>
		Diam. of screw holes	<b>4,2 mm</b>

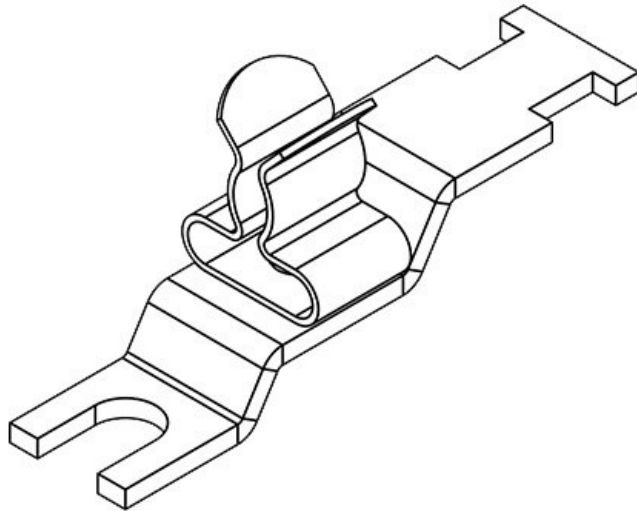
Part No.	<b>36886.4</b>	Min. shield diam.	<b>8 mm</b>
EAN	<b>4251269305009</b>	Max. shield diam.	<b>11 mm</b>
Package quantity	<b>10</b>	Width	<b>14 mm</b>
No. of shield clamps	<b>1</b>	Height	<b>25,5 mm</b>
Length	<b>44,4 mm</b>	Mounting height	<b>25,5 mm</b>
Strain relief (acc. to EN 62444)	<b>1</b>	Hole size	<b>M4</b>
For max. no. of cables	<b>1</b>	No. of screw holes	<b>1</b>
		Diam. of screw holes	<b>4,2 mm</b>



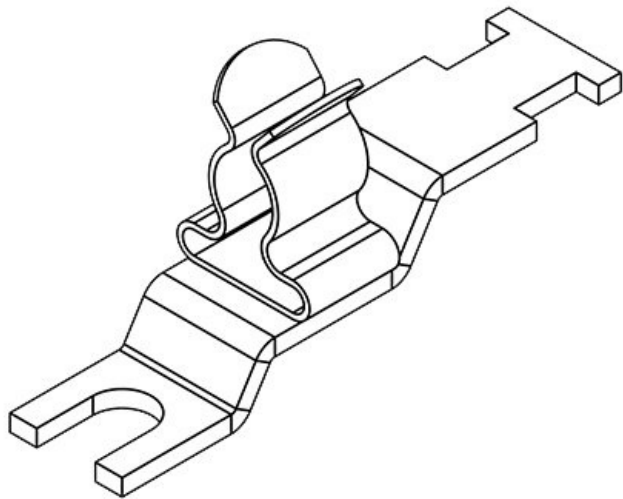
Part No.	<b>36887.1</b>	Min. shield diam.	<b>1,5 mm</b>
EAN	<b>4251269305016</b>	Max. shield diam.	<b>3 mm</b>
Package quantity	<b>10</b>	Width	<b>11,8 mm</b>
No. of shield clamps	<b>1</b>	Height	<b>18,4 mm</b>
Length	<b>44,4 mm</b>	Mounting height	<b>18,4 mm</b>
Strain relief (acc. to EN 62444)	<b>1</b>	Hole size	<b>M5</b>
For max. no. of cables	<b>1</b>	No. of screw holes	<b>1</b>
		Diam. of screw holes	<b>5,2 mm</b>





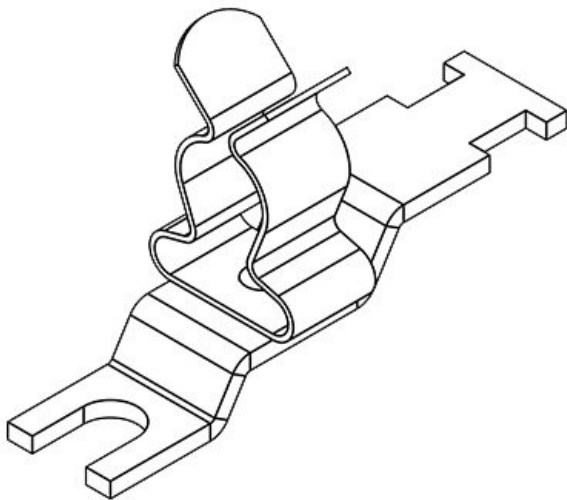


Part No.	<b>36887.2</b>	Min. shield diam.	<b>3 mm</b>
EAN	<b>4251269305023</b>	Max. shield diam.	<b>6 mm</b>
Package quantity	<b>10</b>	Width	<b>11,8 mm</b>
No. of shield clamps	<b>1</b>	Height	<b>19,1 mm</b>
Length	<b>44,4 mm</b>	Mounting height	<b>19,1 mm</b>
Strain relief (acc. to EN 62444)	<b>1</b>	Hole size	<b>M5</b>
For max. no. of cables	<b>1</b>	No. of screw holes	<b>1</b>
		Diam. of screw holes	<b>5,2 mm</b>

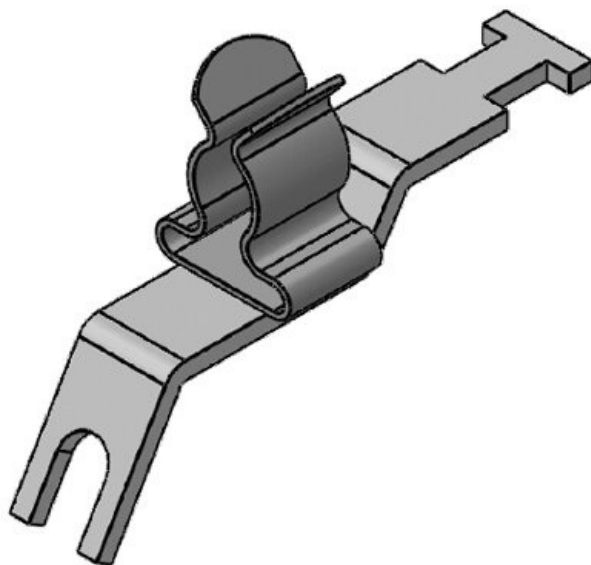


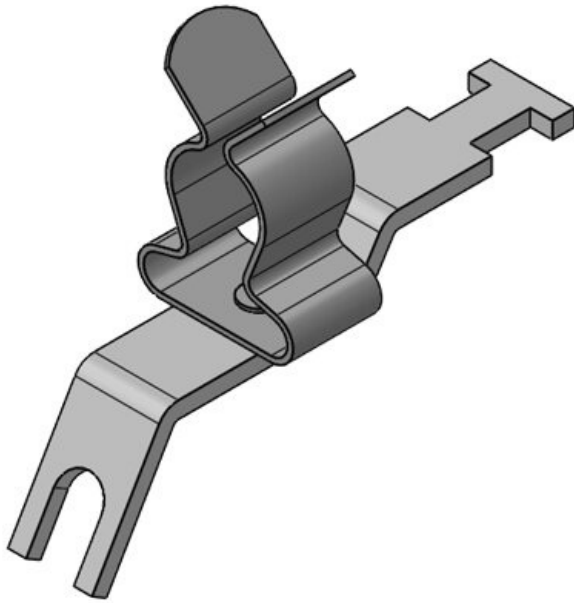
Part No.	<b>36887.3</b>	Min. shield diam.	<b>6 mm</b>
EAN	<b>4251269305030</b>	Max. shield diam.	<b>8 mm</b>
Package quantity	<b>10</b>	Width	<b>11,8 mm</b>
No. of shield clamps	<b>1</b>	Height	<b>20,5 mm</b>
Length	<b>44,4 mm</b>	Mounting height	<b>20,5 mm</b>
Strain relief (acc. to EN 62444)	<b>1</b>	Hole size	<b>M5</b>
For max. no. of cables	<b>1</b>	No. of screw holes	<b>1</b>
		Diam. of screw holes	<b>5,2 mm</b>

Part No.	<b>36887.4</b>	Min. shield	<b>8 mm</b>
EAN	<b>4251269305</b>	diam.	
	<b>047</b>	Max. shield	<b>11 mm</b>
Package	<b>10</b>	diam.	
quantity		Width	<b>14 mm</b>
No. of shield	<b>1</b>	Height	<b>25,5 mm</b>
clamps		Mounting	<b>25,5 mm</b>
Length	<b>44,4 mm</b>	height	
Strain relief	<b>1</b>	Hole size	<b>M5</b>
(acc. to EN		No. of screw	<b>1</b>
62444)		holes	
For max. no. of	<b>1</b>	Diam. of screw	<b>5,2 mm</b>
cables		holes	

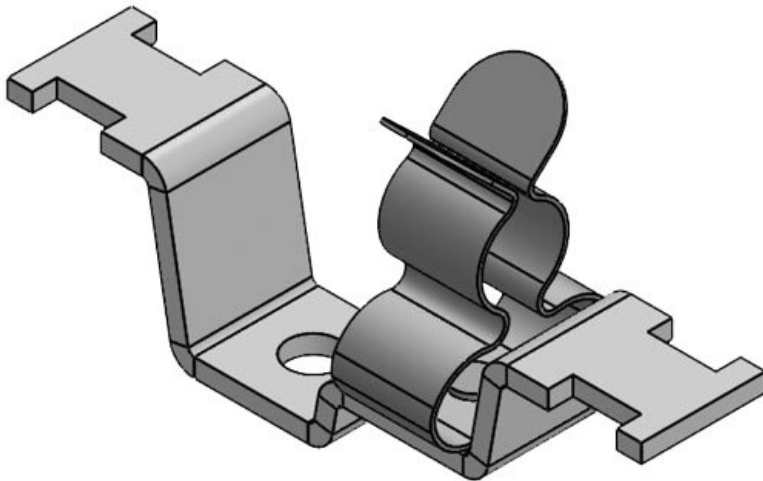


Part No.	<b>36948.3</b>	Min. shield	<b>6 mm</b>
EAN	<b>4251269322</b>	diam.	
	<b>365</b>	Max. shield	<b>8 mm</b>
Package	<b>10</b>	diam.	
quantity		Width	<b>11,8 mm</b>
No. of shield	<b>1</b>	Height	<b>27,2 mm</b>
clamps		Mounting	<b>27,2 mm</b>
Length	<b>43,6 mm</b>	height	
Strain relief	<b>1</b>	Hole size	<b>M4</b>
(acc. to EN		No. of screw	<b>1</b>
62444)		holes	
For max. no. of	<b>1</b>	Diam. of screw	<b>4,3 mm</b>
cables		holes	



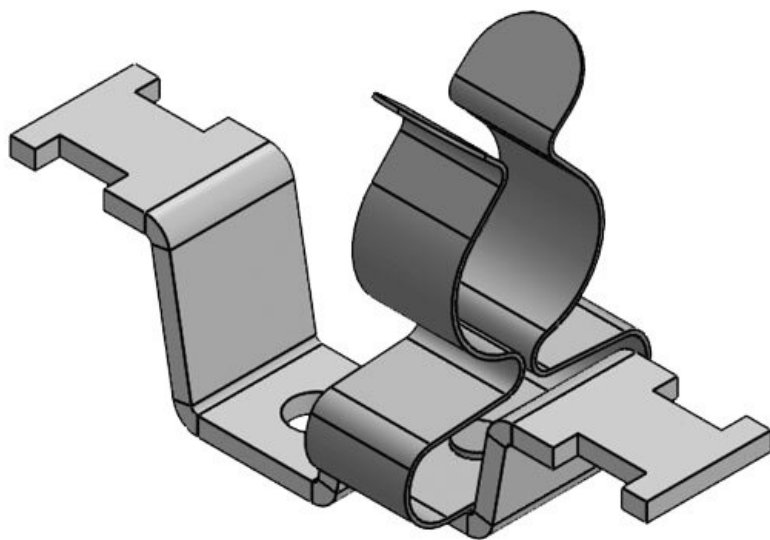


Part No.	<b>36948.4</b>	Min. shield diam.	<b>8 mm</b>
EAN	<b>4251269322</b>	Max. shield diam.	<b>11 mm</b>
Package quantity	<b>10</b>	Width	<b>14 mm</b>
No. of shield clamps	<b>1</b>	Height	<b>32,2 mm</b>
Length	<b>43,6 mm</b>	Mounting height	<b>32,2 mm</b>
Strain relief (acc. to EN 62444)	<b>1</b>	Hole size	<b>M4</b>
For max. no. of cables	<b>1</b>	No. of screw holes	<b>1</b>
		Diam. of screw holes	<b>4,3 mm</b>

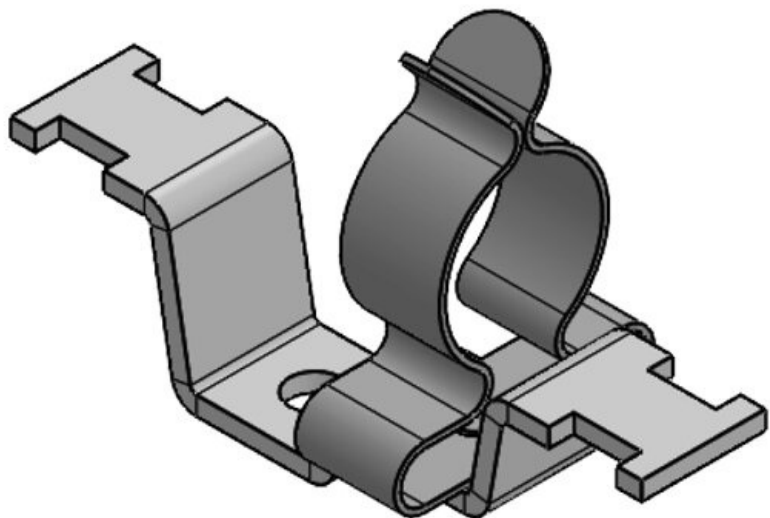


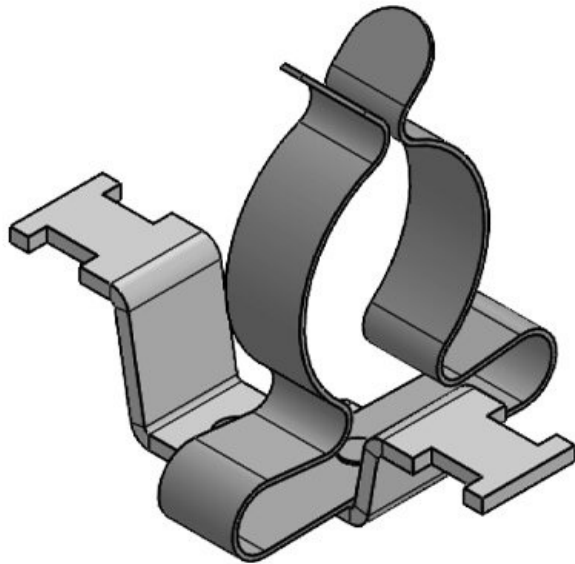
Part No.	<b>37665.150</b>	Min. shield diam.	<b>3 mm</b>
EAN	<b>4251269320</b>	Max. shield diam.	<b>12 mm</b>
Package quantity	<b>10</b>	Width	<b>14,9 mm</b>
No. of shield clamps	<b>1</b>	Height	<b>26 mm</b>
Length	<b>51 mm</b>	Mounting height	<b>26 mm</b>
Strain relief (acc. to EN 62444)	<b>1</b>	Hole size	<b>M4</b>
For max. no. of cables	<b>1</b>	No. of screw holes	<b>1</b>
		Diam. of screw holes	<b>4,1 mm</b>

Part No.	<b>37666.150</b>	Min. shield diam.	<b>8 mm</b>
EAN	<b>4251269320</b>	Max. shield diam.	<b>18 mm</b>
Package quantity	<b>10</b>	Width	<b>19,7 mm</b>
No. of shield clamps	<b>1</b>	Height	<b>32,2 mm</b>
Length	<b>51 mm</b>	Mounting height	<b>32,2 mm</b>
Strain relief (acc. to EN 62444)	<b>1</b>	Hole size	<b>M4</b>
For max. no. of cables	<b>1</b>	No. of screw holes	<b>1</b>
		Diam. of screw holes	<b>4,1 mm</b>



Part No.	<b>37590.150</b>	Min. shield diam.	<b>17 mm</b>
EAN	<b>4251269324</b>	Max. shield diam.	<b>22 mm</b>
Package quantity	<b>10</b>	Width	<b>21 mm</b>
No. of shield clamps	<b>1</b>	Height	<b>32,5 mm</b>
Length	<b>51 mm</b>	Mounting height	<b>32,5 mm</b>
Strain relief (acc. to EN 62444)	<b>1</b>	Hole size	<b>M4</b>
For max. no. of cables	<b>1</b>	No. of screw holes	<b>1</b>
		Diam. of screw holes	<b>4,1 mm</b>





Part No.	<b>37591.150</b>	Min. shield diam.	<b>22 mm</b>
EAN	<b>4251269324</b>	Max. shield diam.	<b>30 mm</b>
Package quantity	<b>10</b>	Width	<b>35 mm</b>
No. of shield clamps	<b>1</b>	Height	<b>41,3 mm</b>
Length	<b>51 mm</b>	Mounting height	<b>41,3 mm</b>
Strain relief (acc. to EN 62444)	<b>1</b>	Hole size	<b>M4</b>
For max. no. of cables	<b>1</b>	No. of screw holes	<b>1</b>
		Diam. of screw holes	<b>4,1 mm</b>